

Dealer Price List 2007 - IMO DGPS Receiver

| Product Description | Product Code | Q'ty | List Price |
|---------------------|--------------|------|------------|
|---------------------|--------------|------|------------|

IMO DGPS RECEIVER



Model: JLR-7700MK2

JLR-7700MK2 1 set



1 Set consists of:

- Main Display Unit
- Antenna Unit
- DGPS Connection Cable
- Junction Box
- DC Power Cable
- Standard Spare Parts
- Screw Mount
- Fitting Belt
- Pole Mounting Kit
- Instruction Manual (English)

With 15m (49.2') Cable
5m (16.4') Cable



- NWZ-4570B (1)
- NNN-4331 (1)
- CFQ-8919 (1)
- NQE-7700 (1)
- CFQ-3598B (1)
- MF60NR-2A (1)
- MTV302007 (1)
- MPBP02520 (1)
- MPBP30608 (1)
- 7ZPNA0181A (1)

Options - DGPS Navigator JLR-7700MkII :

- Power Supply Unit
- Signal Exchange Unit
- Data Cable for Buffer Unit
- Printer
- Buffer Amplifier
- Instruction Manual (English)

5m (16.4') Cable

- NBA-3581A 1
- NCZ-777 1
- CFQ-8921 1
- NKG-84 1
- NQA-602DC 1
- 7ZPNA0181A 1

Power Requirements:

12 / 24 VDC, 10W or less

Shipping Weights & Dimensions:

JLR-7700MKII 25"L x 17"W x 13"H 20 lbs 1

Notes:

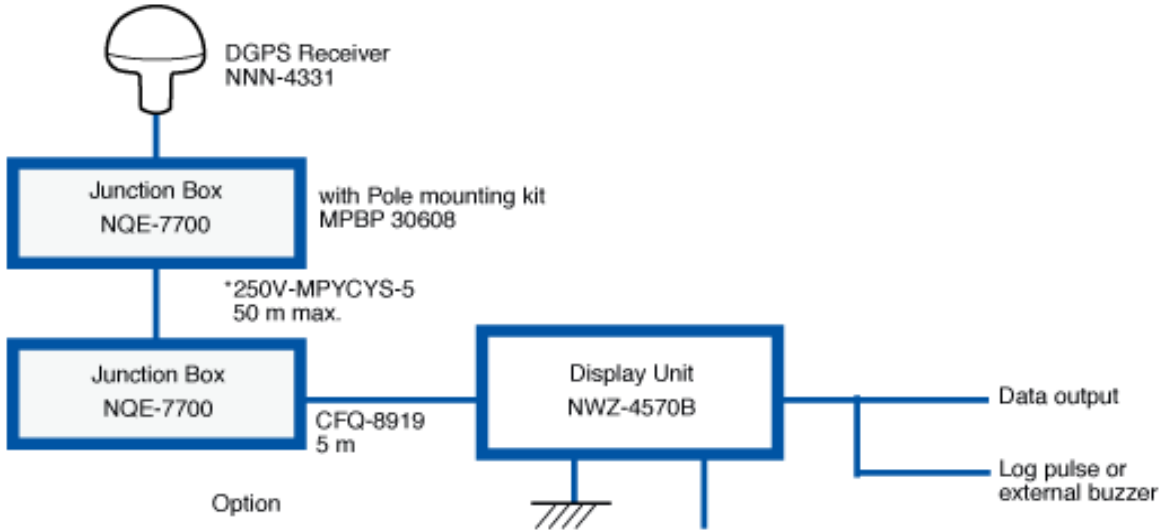
Version 2.3 requires 14X1 software update.

Certifications:

| | | |
|-------------------------|------------------|--------------------------|
| QinetiQ MED Certificate | QQ-MED-38/05-01R | Valid: 21 September 2010 |
| Russian Type Approval | 06.02477.011 | Valid: 31 October 2011 |
| USCG Certificate | 165.13 | Valid: 21 September 2010 |

Dealer Price List 2007 - IMO DGPS Receiver

| Product Description | Product Code | Q'ty | List Price |
|---------------------|--------------|------|------------|
|---------------------|--------------|------|------------|



* The equipment appearance and specifications may be subject to change without notice.